

**Modular Cooking Range Line  
EVO900 3 Drawer Refrigerated  
Base (R290)**

ITEM # \_\_\_\_\_

MODEL # \_\_\_\_\_

NAME # \_\_\_\_\_

SIS # \_\_\_\_\_

AIA # \_\_\_\_\_



392601 (Z9TTAECOMKN) Refrigerated base with 3 drawers, -2/+10 C - R290

**Short Form Specification**

Item No. \_\_\_\_\_

Refrigerated base with 3 drawers. Built-in refrigerator compressor unit. Can operate over the temperature range of -2°C to 10 °C. Exterior panels in stainless steel. To be installed below other EVO900 top units. Delivered with 50 mm height adjustable feet.

**Main Features**

- Adjustable temperature range from -2 °C to +10 °C to suit meat, fish and dairy storage requirements.
- Anti-tilt runners accept GN 1/1 containers.
- Forced air circulation for rapid cooling and an even temperature distribution.
- Right angled side edges eliminate gaps and possible dirt traps between units.
- Unit can be easily installed below other 900 line top models.
- Defrosting and automatic evaporation of condense drain: the condense is automatically evaporated thanks to the electric resistance in the condense drain container.
- Designed for modular installation into the cooking block.

**Construction**

- Access to all components from the front.
- Built-in compressor to suit operating conditions.
- Exterior panels in Stainless steel with Scotch Brite finish to meet the highest hygiene standards.
- Unit delivered with 150 mm height adjustable feet in Stainless steel. Feet can be extended up to 250 mm.

**Sustainability**

- CFC and HCFC free (highly ecological refrigerant type: R290).

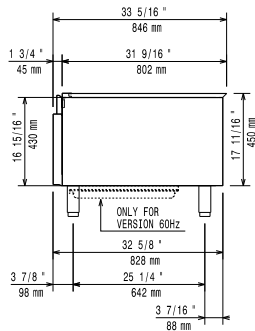
**Optional Accessories**

- Flanged feet kit PNC 206136
- Frontal kicking strip for concrete installation, 1600 mm PNC 206152
- Frontal kicking strip, 1600 mm PNC 206179
- Kit 3 base support for wheels PNC 206430
- Kit 6 wheels - 3 swivelling with brake PNC 206432
- KIT SUPPORT FOR FEET FOR 200MMFRYER/400 PNC 206438

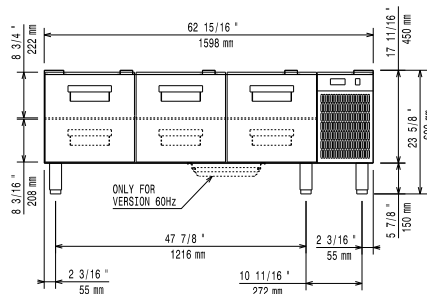
APPROVAL: \_\_\_\_\_

# Modular Cooking Range Line EVO900 3 Drawer Refrigerated Base (R290)

**Front**

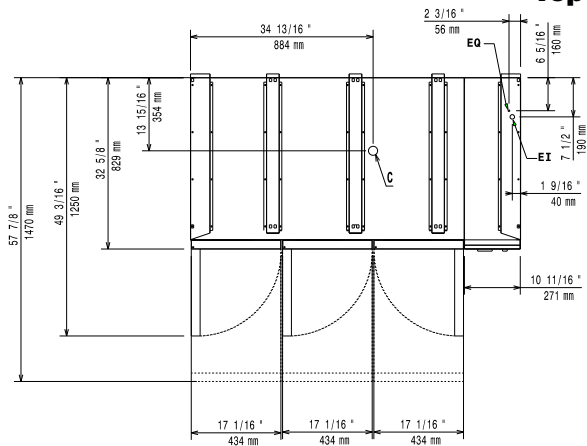


**Side**



EI = Electrical inlet (power)

**Top**



## Electric

Supply voltage:	220-230 V/1N ph/50 Hz
Electrical power max.:	0.44 kW
Total Watts:	0.44 kW
Plug type:	CE-SCHUKO

## Key Information:

External dimensions, Width:	1600 mm
External dimensions, Depth:	830 mm
External dimensions, Height:	600 mm
Net weight:	110 kg
Shipping weight:	146 kg
Shipping height:	820 mm
Shipping width:	1300 mm
Shipping depth:	1700 mm
Shipping volume:	1.81 m <sup>3</sup>
Gross capacity:	210 lt

## Sustainability

Refrigerant type:	R290
Refrigerant weight:	85 g

Modular Cooking Range Line  
EVO900 3 Drawer Refrigerated Base (R290)

The company reserves the right to make modifications to the products without prior notice. All information correct at time of printing.